

Clippard

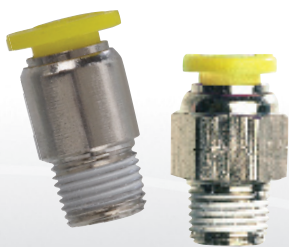
GNV Series Needle Valves

1/8", 1/4" & 3/8" NPT Styles



- Provide bidirectional flow control
- Rugged and compact design
- Multiple mounting options
- 360° rotating ports
- ENP brass construction
- Ideal for use with Push-Quick fittings

Clippard's MNV- Series Needle Valves are available with #10-32 ports with various needle configurations to provide coarse or fine flow adjustment. Air flows to 5 scfm @ 100 psig. In-line, direct or thread mounting.



Clippard Push-Quick Fittings provide a simple method to connect pneumatic components to each other and system piping, and accept both flexible hose and rigid tubing. Both fittings and tubing are available in many styles, sizes and colors.

Needle Valves are used to control the rate of flow in a pneumatic system by allowing flow in both directions. The threaded adjustable needle can be screwed in to block the actuator. As a result, the flow of air not only decreases but backs up inside the actuator, preventing the actuator from generating more pressure due to the resistance. Material enters the input port, travels through an orifice and out the output port. Needle valves can be used to reverse the flow of a system or to maintain a constant flow rate.

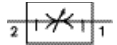
Available with multiple port sizes, flow rates, mounting options and adjustment styles.

Medium: Air, Water or Oil

Material, Body: Electroless nickel plated brass needle and body, anodized aluminum housing

Input Pressure: 300 psig max.

Air Flow: GNV-3: 11 scfm @ 100 psig
GNV-4: 45 scfm @ 100 psig
GNV-5: 60 scfm @ 100 psig

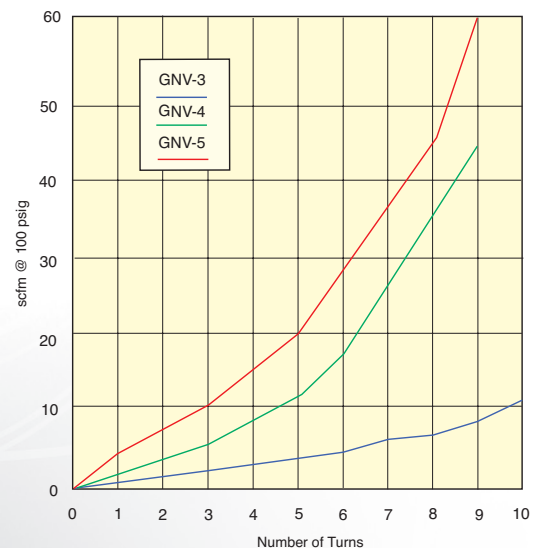


Mounting: Direct, In-Line or Cartridge Style

Porting: Rotating input allows 360° positioning

Adjustment: Recessed slotted needle or knurled knob

Material, Seals: Nitrile standard. FKM optional.

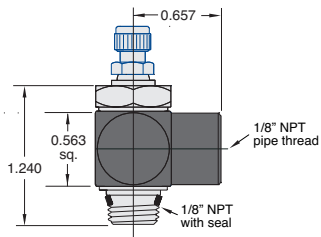


Clippard Instrument Laboratory, Inc.

7390 Colerain Avenue • Cincinnati, OH 45239 • 513-521-4261 • 877-245-6247 • Fax 513-521-4464 • www.clippard.com

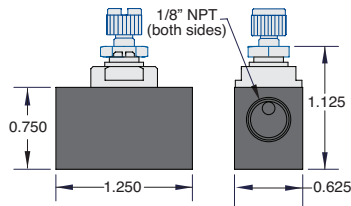
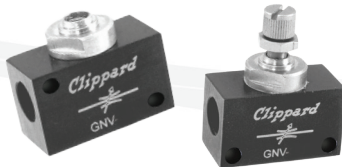
Technical Data Bulletin 7.2.13

Direct Mount



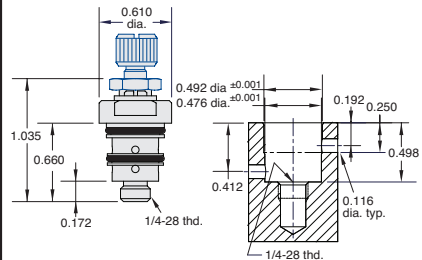
Part No.	Port	Adjustment
GNV-3R	1/8" NPT	Slot
GNV-3K	1/8" NPT	Knob

In-Line Mount

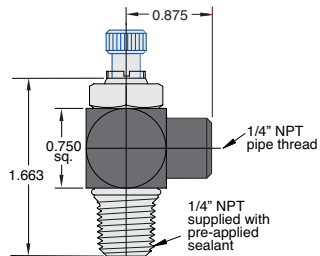


Part No.	Ports	Adjustment
GNV-3RI	1/8" NPT	Slot
GNV-3KI	1/8" NPT	Knob

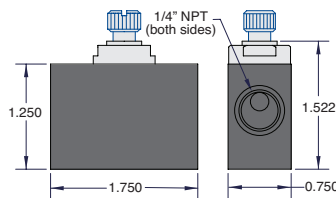
Cartridge Mount



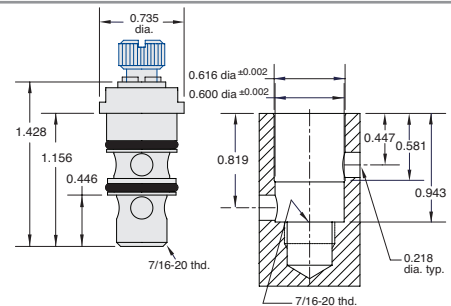
Part No.	Ports	Adjustment
GNV-3RC	1/8" NPT	Slot
GNV-3KC	1/8" NPT	Knob



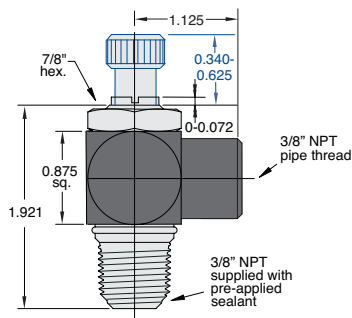
Part No.	Port	Adjustment
GNV-4R	1/4" NPT	Slot
GNV-4K	1/4" NPT	Knob



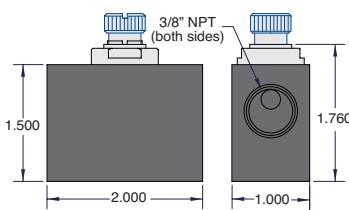
Part No.	Ports	Adjustment
GNV-4RI	1/4" NPT	Slot
GNV-4KI	1/4" NPT	Knob



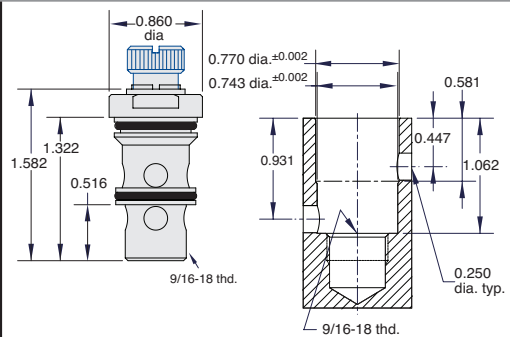
Part No.	Ports	Adjustment
GNV-4RC	1/4" NPT	Slot
GNV-4KC	1/4" NPT	Knob



Part No.	Port	Adjustment
GNV-5R	3/8" NPT	Slot
GNV-5K	3/8" NPT	Knob



Part No.	Ports	Adjustment
GNV-5RI	3/8" NPT	Slot
GNV-5KI	3/8" NPT	Knob



Part No.	Ports	Adjustment
GNV-5RC	3/8" NPT	Slot
GNV-5KC	3/8" NPT	Knob

Professionally Distributed by:

Clippard Instrument Laboratory, Inc.

7390 Colerain Avenue • Cincinnati, OH 45239 • 513-521-4261 • 877-245-6247 • Fax 513-521-4464 • www.clippard.com
 Technical Data Bulletin 7.2.13